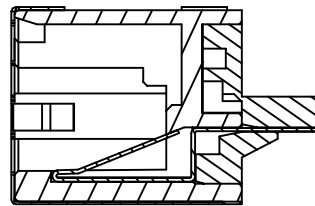
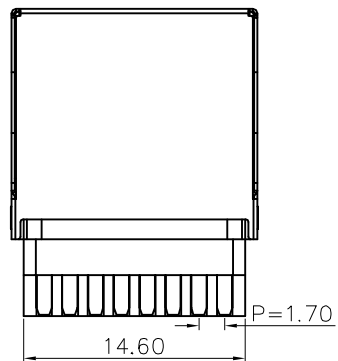
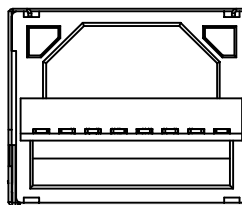
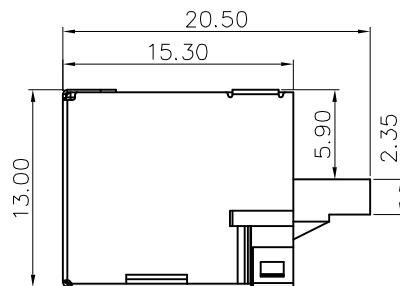
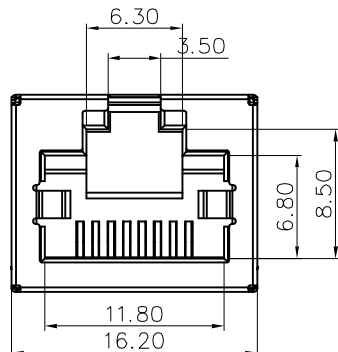
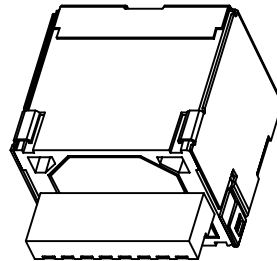
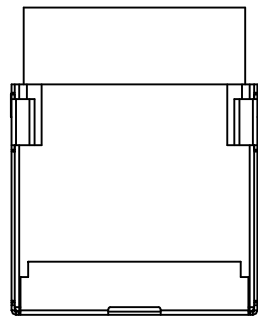


REV.	ECN.NO.	NAME	DATA
A0	NEW	MIN-D	2020-05-22



**SPECIFICATION NOTES:**

**ELECTRICAL:**

- 1.VOLTAGE RATING: 125 VAC RMS
- 2.CURRENT RATING: 1.5 AMP
- 3.CONTACT RESISTANCE: 20mΩ MAX.
- 4.INSULATION RESISTANCE: 1000MΩ MIN. AT500V

**DC.**

- 5.DIELECTRIC STRENGTH: 1000 V AC OR 1500V DC RMS AT 0.5mA 50 Hz / 60 Hz FOR 1MINUTE

**MECHANICAL:**

- 1.HOUSING:PBT BLACK, UL 94V-2
- 2.CONTACT:PHOSPHOR BRONZE T=0.25MM
- 3.PLATING:GOLD PLATING AT CONTACT AREA, TIN AT TAIL 100U MIN., NICKEL 30U MIN. OVER ALL.
- 4.SHELL:BRASS T=0.20
- 5.OPERATING LIFE:750 CYCLES MIN.
- 6.MATING/UNMATING FORCE: 30N/3.06KGf MAX.
- 7.RETENTION STRENGTH:50N OR 30N MIN.FOR 60S±5S

**ENVIRONMENTAL:**

- 1.STORAGE:-40°C TO +85°C RELATIVE HUMIDITY<80%
- 2.GUARANTEED PERIOD:12 MONTHS
- 3.OPERATION: -40°C TO +85°C

<input checked="" type="checkbox"/> 屏蔽壳 Shell	<input checked="" type="checkbox"/> 黄铜 Brass	1
Au: <input type="checkbox"/> G/F" <input type="checkbox"/> 1u" <input type="checkbox"/> 3u" <input checked="" type="checkbox"/> Ni <input type="checkbox"/> 80u"		
胶壳	<input checked="" type="checkbox"/> PBT <input type="checkbox"/> LCP	1
金片 (PIN针) Contacts	<input type="checkbox"/> 黄铜 Brass <input checked="" type="checkbox"/> 磷铜 Phosphor copper	8
<input checked="" type="checkbox"/> G/F" <input type="checkbox"/> 1u" <input type="checkbox"/> 3u" <input type="checkbox"/> 6u" <input type="checkbox"/> 15u" <input type="checkbox"/> 30u" <input type="checkbox"/> 50u" <input type="checkbox"/> OTHER		

DETACHED LISTS	MM (INCH)	绘图 (Designed) MIN-D 2020-05-22	
	公差 TOLERANCES	审核 (Checked)	
	MM .0 ± 0.20 .00 ± 0.15 0.00 ± 0.075	MM .0 ± 0.38 .00 ± 0.25 .000 ± 0.15	批准 (Approved)
	角度 (ANGLES) ± 1.5°	材料 (Material) SEE NOTES	
	第三视图	比例 (SCALE) 1:1	

<b>XWJ</b> 东莞市欣旺久电子有限公司 XIN WANG JIU Electronics Co.,Ltd	
系列 (SERIES)	名称 (NAME)
RJ	RJ45 8P8C 方形 带屏蔽壳 焊线式 8针
图号 (DWG NO.):	版本 REV.
料号 (PART NO): 60-11208006	A0
单位 (UNIT): MM	共 (SHEET) 1 页 第 (OF) 1 页